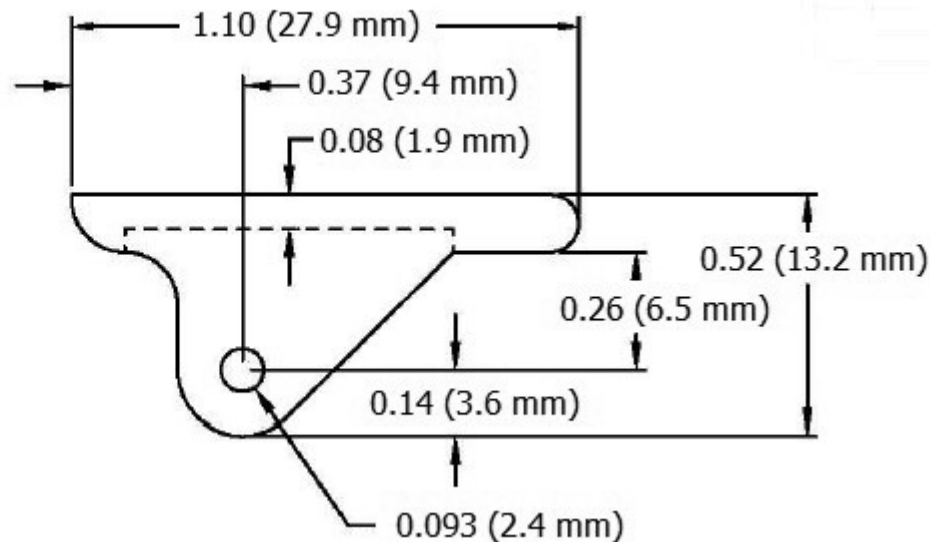
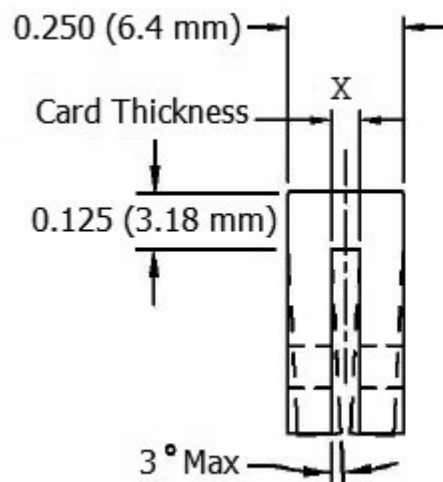


This drawing and the information contained herein are the confidential and proprietary property of Global Supply LLC


9762 1/16" (1.59 mm) CARD

9732 3/32" (2.38 mm) CARD



NOTES:

1. INTERPRET DRAWING PER ASME Y14.5M-1994
2. ROHS AND REACH COMPLIANT

DRAWING SCALE:		MATERIAL:		DESCRIPTION:	
STANDARD		NYLON		PCB EJECTOR	
TOLERANCES: <i>Unless specified otherwise, all dimensions are in inches</i>		FINISH:		PART NUMBER:	
x.xxx +/- 0.005 x.xx +/- 0.010 x.x +/- 0.010		NONE		97X2	
DRAWN BY:	L. CLARY		FCSM No.		 <p>Global Supply LLC WORLDWIDE SUPPLIER OF ELECTRONIC HARDWARE, FASTENERS & COMPONENTS 500 Division Street, Campbell, CA 95008-6906 Tel: 408 960 0370 Fax: 408 960 0375 Web: www.globalsupply.com</p>
REV:	APPROVAL	DATE:	67012		
INITIAL	LJA	Oct 1, 2014	ECCN		
A	LJA	Mar 12, 2019	EAR99 = NLR (No License Required)		