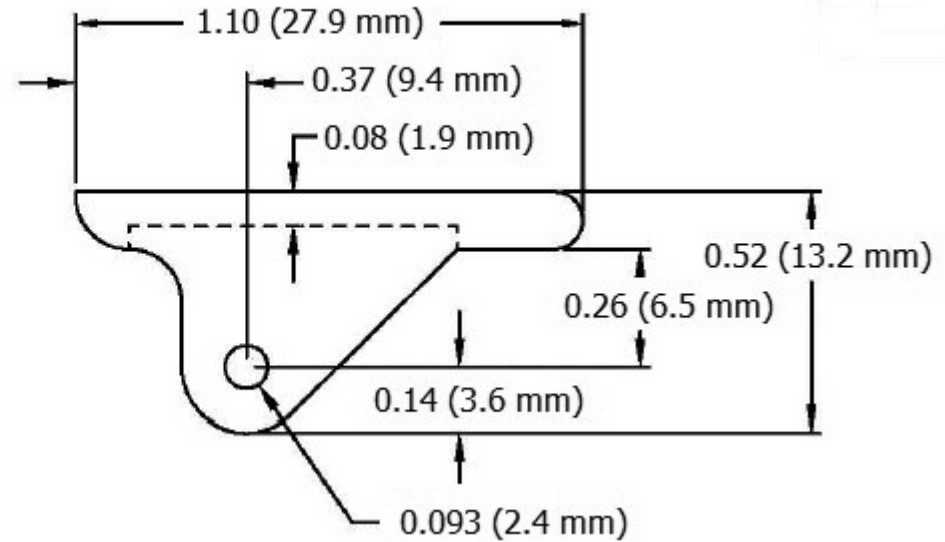
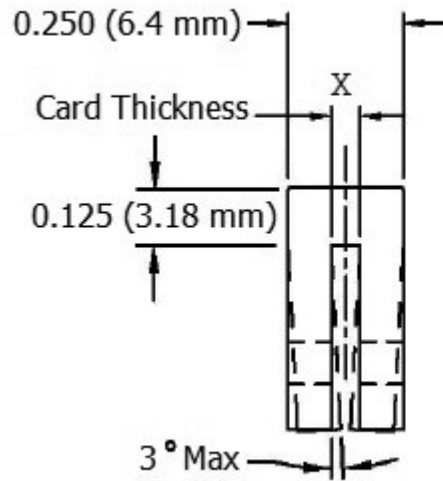


This drawing and the information contained herein are the confidential and proprietary property of Global Supply LLC


9762BL 1/16" (1.59 mm) CARD

9732BL 3/32" (2.38 mm) CARD



NOTES:

1. INTERPRET DRAWING PER ASME Y14.5M-1994
2. ROHS AND REACH COMPLIANT

DRAWING SCALE: STANDARD		MATERIAL: NYLON	DESCRIPTION: PCB EJECTOR						
TOLERANCES: <i>Unless specified otherwise, all dimensions are in inches</i>		FINISH: BLUE	PART NUMBER: 97X2BL						
<table border="1"> <tr> <td>x.xxx</td> <td>+/- 0.005</td> </tr> <tr> <td>x.xx</td> <td>+/- 0.010</td> </tr> <tr> <td>x.x</td> <td>+/- 0.010</td> </tr> </table>		x.xxx	+/- 0.005	x.xx	+/- 0.010	x.x	+/- 0.010	FCSM No. 67012	 <p>Global Supply LLC WORLDWIDE SUPPLIER OF ELECTRONIC HARDWARE, FASTENERS & COMPONENTS 500 Division Street, Campbell, CA 95008-6906 Tel: 408 960 0370 Fax: 408 960 0375 Web: www.globalsupply.com</p>
x.xxx	+/- 0.005								
x.xx	+/- 0.010								
x.x	+/- 0.010								
DRAWN BY: L. CLARY		ECCN							
REV:	APPROVAL	DATE:							
INITIAL	LJA	Mar 12, 2019							
		EAR99 = NLR (No License Required)							