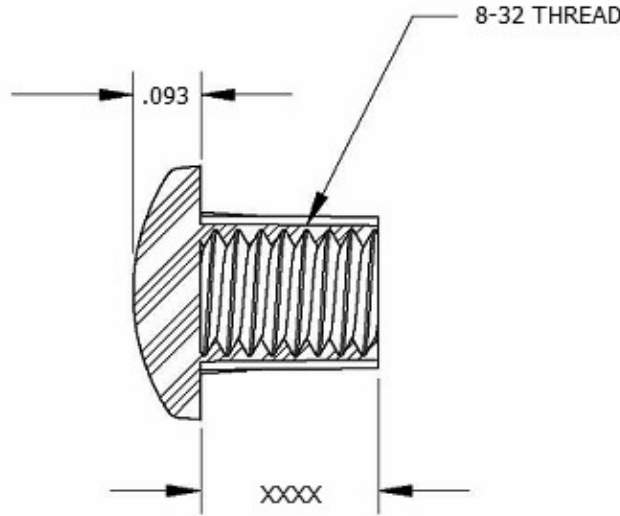
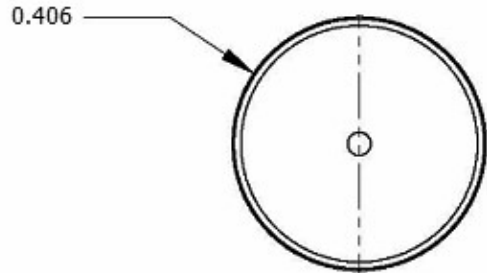



This drawing and the information contained herein are the confidential and proprietary property of Global Supply LLC



PART NUMBER	LENGTH
27POST8320375	3/8
27POST8320500	1/2
27POST8320625	5/8
27POST8320750	3/4
27POST8320875	7/8
27POST8321000	1

NOTES:
 1. INTERPRET DRAWINGS PER ASME Y14.5M-1994 STANDARD.
 2. DIMENSIONS & TOLERANCES PER ANSI/ASME B18.6.3
 3. ROHS AND REACH COMPLIANT

DRAWING SCALE:		MATERIAL:		DESCRIPTION:							
STANDARD		POLYCARBONATE		8-32 THREADED POST AND SLOTTED SCREW							
TOLERANCES: <i>Unless specified otherwise, all dimensions are in inches</i>		FINISH:		PART NUMBER:							
<table border="0"> <tr> <td>x.xxx</td> <td>+/- 0.005</td> </tr> <tr> <td>x.xx</td> <td>+/- 0.010</td> </tr> <tr> <td>x.x</td> <td>+/- 0.010</td> </tr> </table>		x.xxx	+/- 0.005	x.xx	+/- 0.010	x.x	+/- 0.010			27POST832XXXX	
x.xxx	+/- 0.005										
x.xx	+/- 0.010										
x.x	+/- 0.010										
DRAWN BY:	L.CLARY		FSCM No. 67012		 Global Supply LLC WORLDWIDE SUPPLIER OF ELECTRONIC HARDWARE, FASTENERS & COMPONENTS <small>500 Division Street, Campbell, CA 95008-6906 Tel: 408 960 0370 Fax: 408 960 0375 Web: www.globalsupply.com</small>						
REV:	APPROVAL	DATE:									
INITIAL RELEASE	LJA	May 17, 2018									
			ECCN								
			EAR99 = NLR (No License Required)								