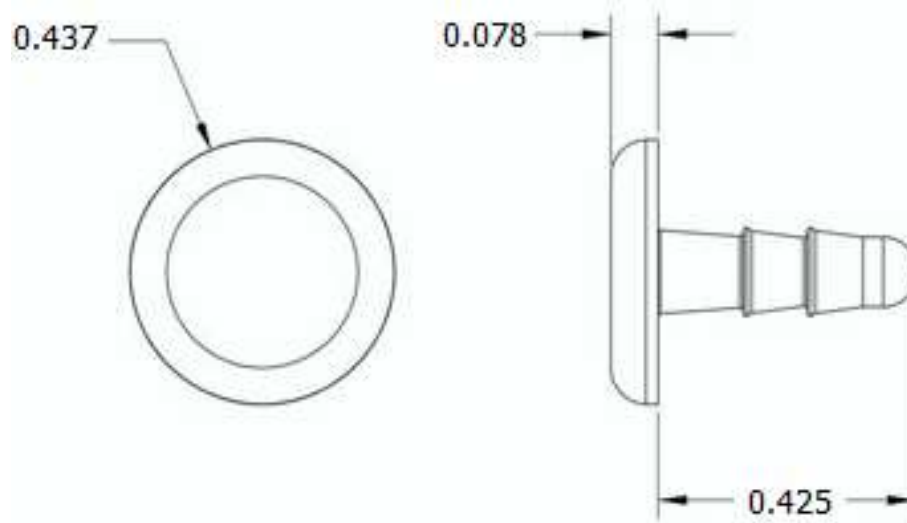



This drawing and the information contained herein are the confidential and proprietary property of Global Supply LLC



NOTES:

1. INTERPRET DRAWINGS PER ASME Y14.5M-1994 STANDARD.
2. DIMENSIONS & TOLERANCES PER ANSI/ASME B18.8.2
3. ROHS AND REACH COMPLIANT

DRAWING SCALE:		MATERIAL:		DESCRIPTION:	
STANDARD		POLYCARBONATE		M320 PUSH PIN, FOR POST	
TOLERANCES: <i>Unless specified otherwise, all dimensions are in inches</i>		FINISH:		PART NUMBER:	
				27PP001	
DRAWN BY:		FCSM No.		 <p style="font-size: 24pt; font-weight: bold; margin: 0;">Global Supply LLC</p> <p style="font-size: 10pt; margin: 0;">WORLDWIDE SUPPLIER OF ELECTRONIC HARDWARE, FASTENERS & COMPONENTS</p> <p style="font-size: 8pt; margin: 0;">500 Division Street, Campbell, CA 95008-6906 Tel: 408 960 0370 Fax: 408 960 0375 Web: www.globalsupply.com</p>	
L.CLARY		67012			
REV:	APPROVAL	DATE:			
INITIAL	LJA	May 18, 2018			
		ECCN			
		EAR99 = NLR (No License Required)			